

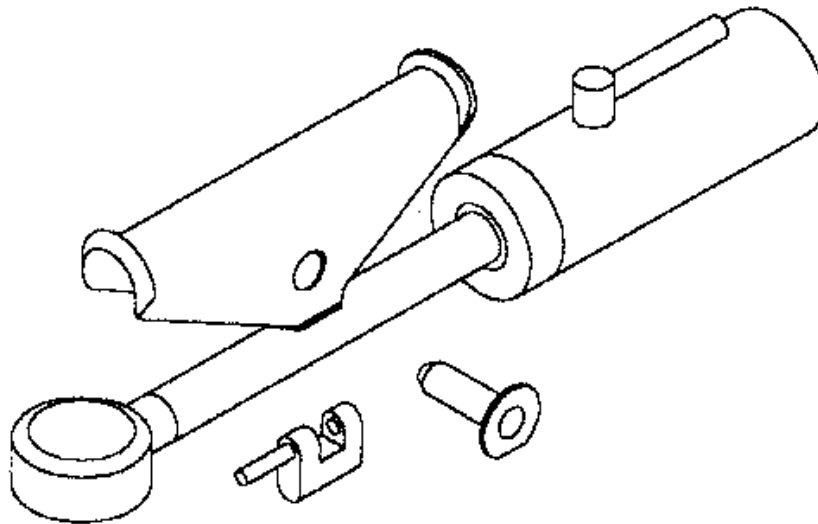


# BUILDER'S BUDDY

## RAMLOCK FITTING INSTRUCTIONS

### SAFETY PRECAUTIONS

**WHEN FITTING:** check people and objects are clear, only operate the machine from the operators seat and operate it with caution. Only fit the RamLock when the machine is stopped, switched off and lowered to the ground



### FITTING INSTRUCTIONS.

- 1) Extend the steering cylinder by placing the machines steering onto full lock.
- 2) Stop the machine and lower any buckets or implements to the ground.
- 3) Take the RamLock apart and place the sleeve over the steering cylinder rod, as shown above.
- 4) Place the pin through the sleeve and then secure the pin into position with the padlock.
- 5) Fit one key onto the ignition key ring and give the spare keys to the site Foreman or Manager.
- 6) Lightly oil the padlock at regular intervals.

See all our products at: [www.buildersbuddy.co.uk](http://www.buildersbuddy.co.uk)